



Restaurant

Veolia Environmental Services understands the issues your restaurant faces.

Your Needs:



Cleanliness and odor control

Because presentation matters.



Prompt service

Dependability guaranteed.



Efficient, economical service

Maximizing value in your waste removal process.

Waste reduction

Minimizing your waste streams.

Our Solutions:

Container switch-out program

Veolia Environmental Services provides you with a container that meets your expectations.

Scheduled, dependable service

Veolia Environmental Services is there when you want us there. Every time.

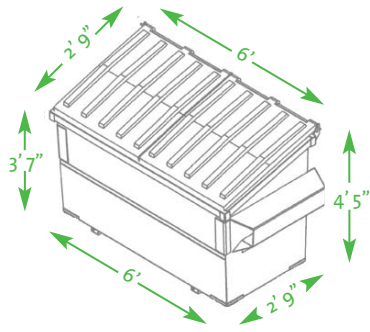
Ongoing waste evaluation

Veolia Environmental Services looks for ways to simplify your waste-handling processes and boost your bottom line.

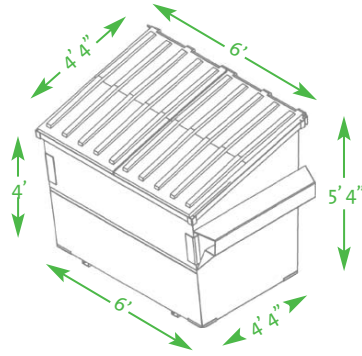
Turnkey recycling programs

From start to finish, count on Veolia Environmental Services for all your recycling needs.

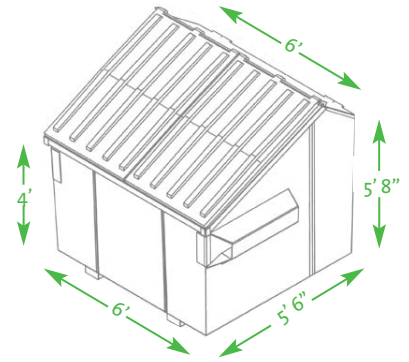




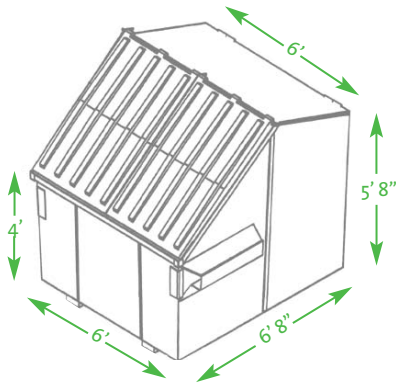
2-Yard Front Loader
Slant-front Container



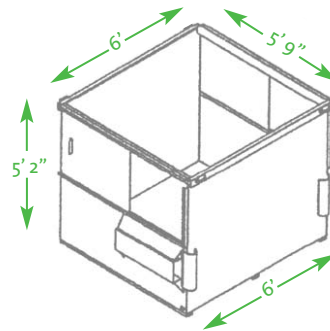
4-Yard Front Loader
Slant-front Container



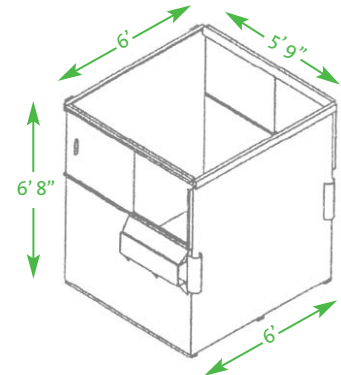
6-Yard Front Loader
Slant-front Container



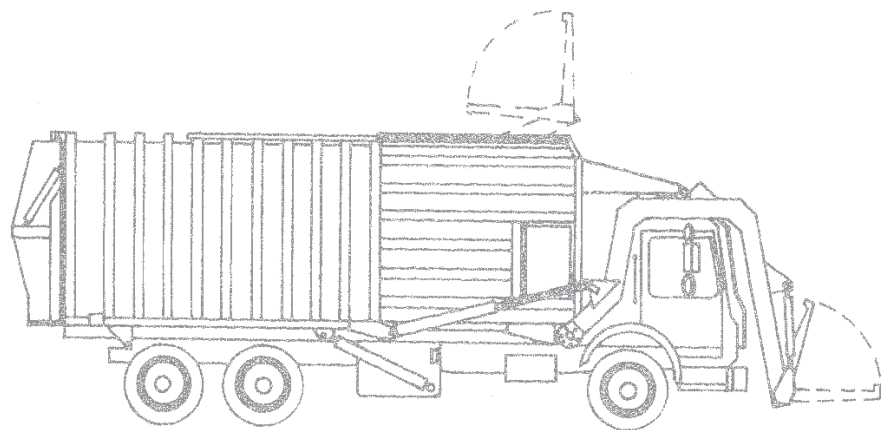
8-Yard Front Loader
Slant-front Container



6-Yard Front Loader
Flat-top Container



8-Yard Front Loader
Flat-top Container



2 YD 16' 4.5"
3 YD 17' 2"
4 YD 17' 10"
6 YD 19' 8"
8 YD 20' 2"

36' 5"



Veolia ES Solid Waste
125 South 84th Street, Suite 200
Milwaukee, WI 53214
Tel: 1-800-372-1020
Fax: 414-479-7400
www.VeoliaES.com

*Ask your representative
about container enclosure
specifications.*