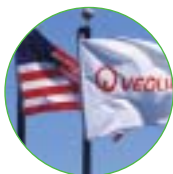




# Restaurant

Veolia Environmental Services understands the issues your restaurant faces.

## Your Needs:



### Cleanliness and odor control

Because presentation matters.



### Prompt service

Dependability guaranteed.



### Efficient, economical service

Maximizing value in your waste removal process.

### Waste reduction

Minimizing your waste streams.

## Our Solutions:

### Container switch-out program

Veolia Environmental Services provides you with a container that meets your expectations.

### Scheduled, dependable service

Veolia Environmental Services is there when you want us there. Every time.

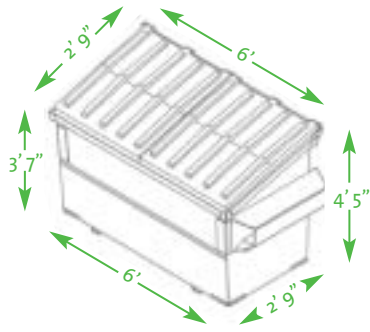
### Ongoing waste evaluation

Veolia Environmental Services looks for ways to simplify your waste-handling processes and boost your bottom line.

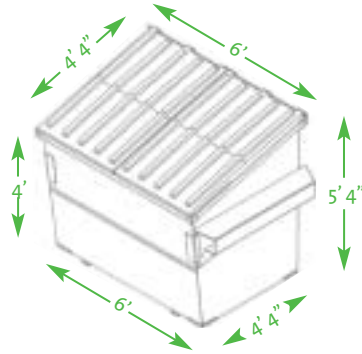
### Turnkey recycling programs

From start to finish, count on Veolia Environmental Services for all your recycling needs.

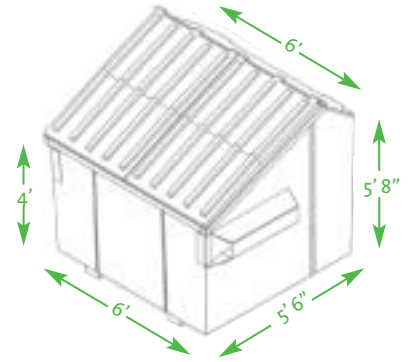




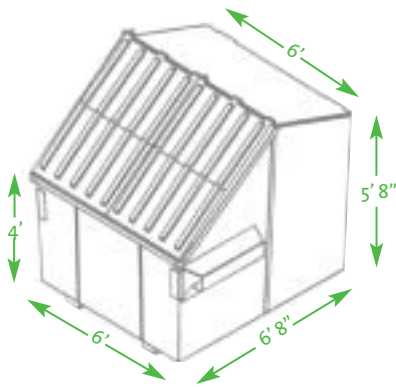
2-Yard Front Loader Slant-front Container



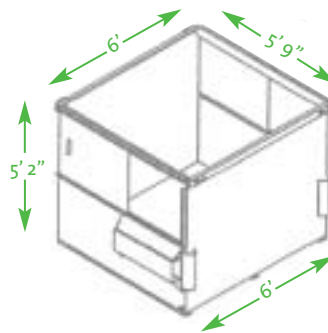
4-Yard Front Loader Slant-front Container



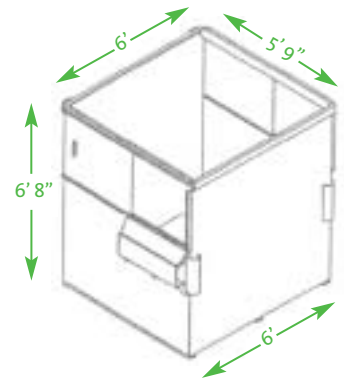
6-Yard Front Loader Slant-front Container



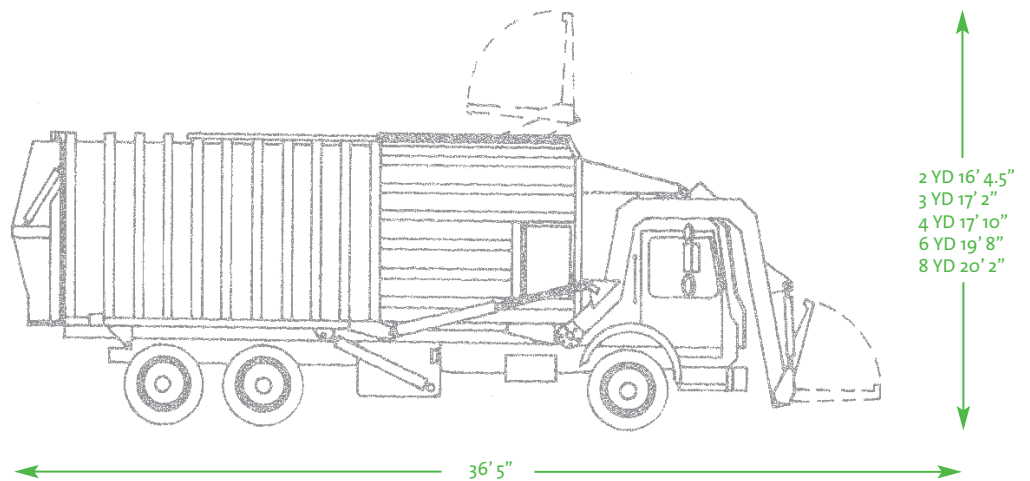
8-Yard Front Loader Slant-front Container



6-Yard Front Loader Flat-top Container



8-Yard Front Loader Flat-top Container



**Veolia ES Solid Waste**  
 125 South 84th Street, Suite 200  
 Milwaukee, WI 53214  
 Tel: 1-800-372-1020  
 Fax: 414-479-7400  
[www.VeoliaES.com](http://www.VeoliaES.com)

*Ask your representative  
 about container enclosure  
 specifications.*