



Property Management

Veolia Environmental Services understands the issues property managers face.

Your Needs:

Our Solutions:



Timely service

A schedule that fits your business.

Budget/cost containment

Controlling your bottom line.

Customer service

Prompt friendly response.

Bulk item pick-ups

Keeping the curb free of unsightly, unwanted items.

Service guarantee

Veolia Environmental Services hits your optimum "window of convenience." Guaranteed.

Pre-set pricing plans

No hassles. No surprises.

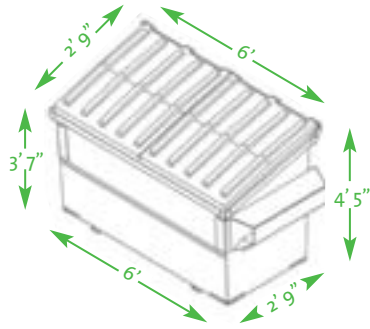
One call, one person

Speak to a qualified customer service representative the first time you call.

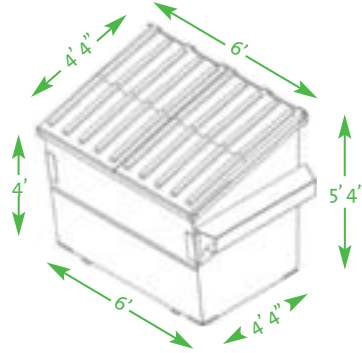
Customized service plans

Veolia Environmental Services tailors our services to meet your specific needs.

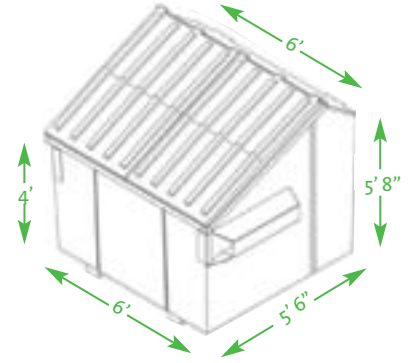




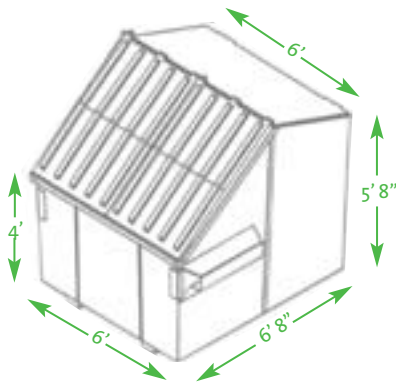
2-Yard Front Loader Slant-front Container



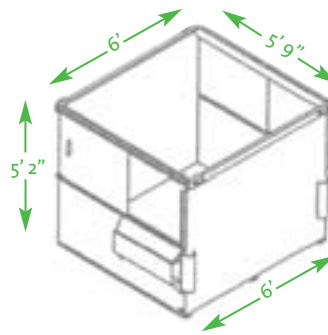
4-Yard Front Loader Slant-front Container



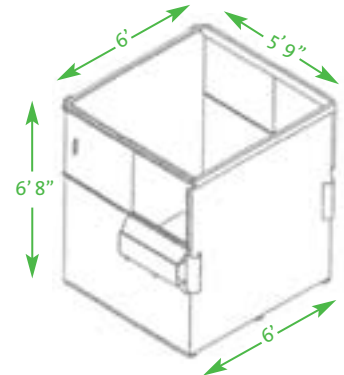
6-Yard Front Loader Slant-front Container



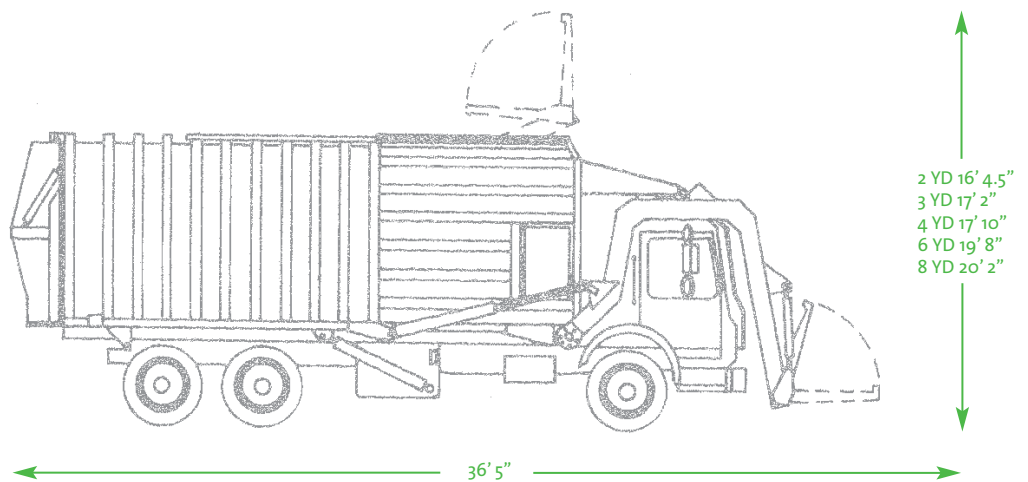
8-Yard Front Loader Slant-front Container



6-Yard Front Loader Flat-top Container



8-Yard Front Loader Flat-top Container



Ask your representative about container enclosure specifications.