



Manufacturing/Industrial

Veolia Environmental Services understands the issues your business faces.

Your Needs:

Our Solutions:



Turnkey environmental management

Keeping a handle on a wide variety of waste streams.

Waste reduction

Minimizing waste streams.

Cost reduction

Controlling your bottom line.

Compliance

Staying in line with complex, changing regulations.

Single-source solutions

Count on Veolia Environmental Services to manage all of your waste streams.

Meeting and exceeding expectations

Veolia Environmental Services cuts your environmental concerns down to size.

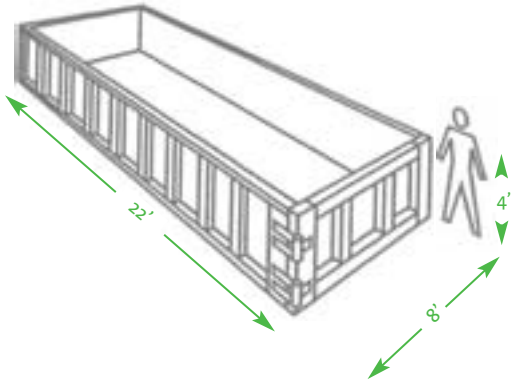
Improved waste flow efficiencies

Continual site and waste stream analysis and continuous improvement metrics help keep costs in line.

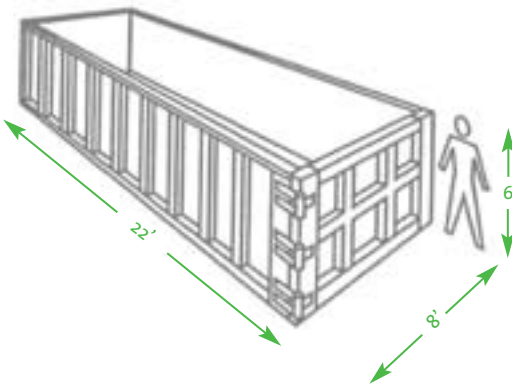
Management of compliance and regulatory issues

Veolia Environmental Services analyzes and tracks your waste streams to ensure they are handled and disposed of properly.

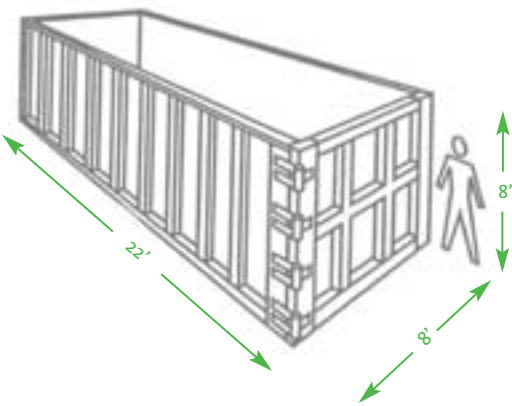




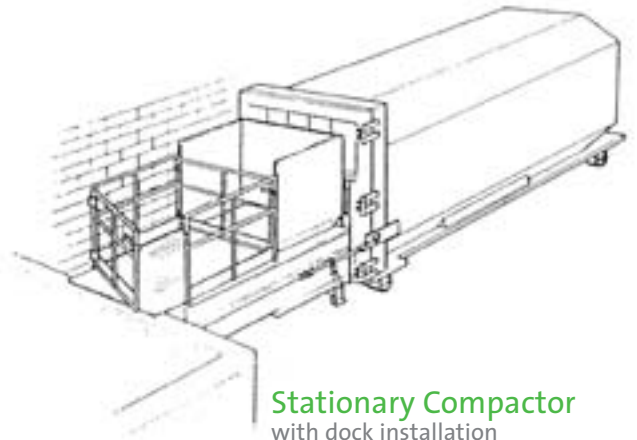
20-Yard Open-top Container



30-Yard Open-top Container



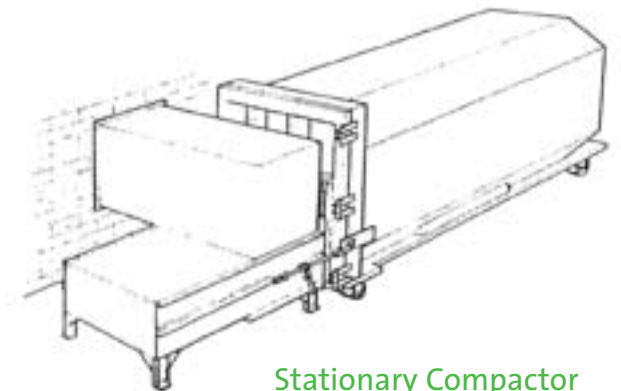
40-Yard Open-top Container



Stationary Compactor
with dock installation



Self-Contained Compactor



Stationary Compactor
with thru-the-wall security chute



*Ask your representative
about container enclosure
specifications.*